

EX-4 TX1000 Keypad Expander



BBV

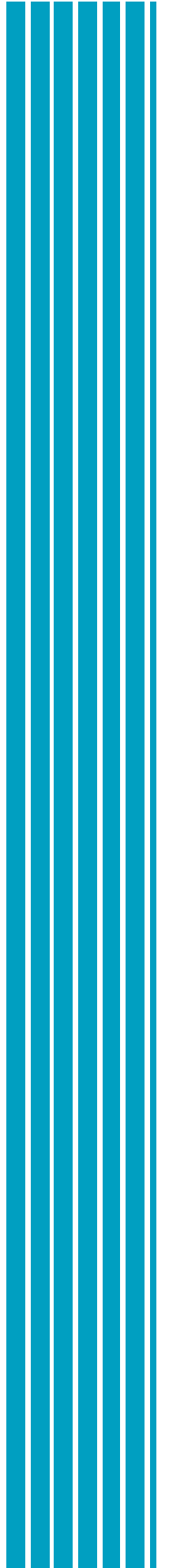


Application Notes

The EX4 allows control of upto 64 cameras from the one Tx1000 keyboard by key press selection of required base unit.

Features

- Control of upto four base units from keyboard
- Cost effective upgrade option for lager systems
- Easy to use. Simple keystroke selection.
- Simple installation
- Powered from Base unit

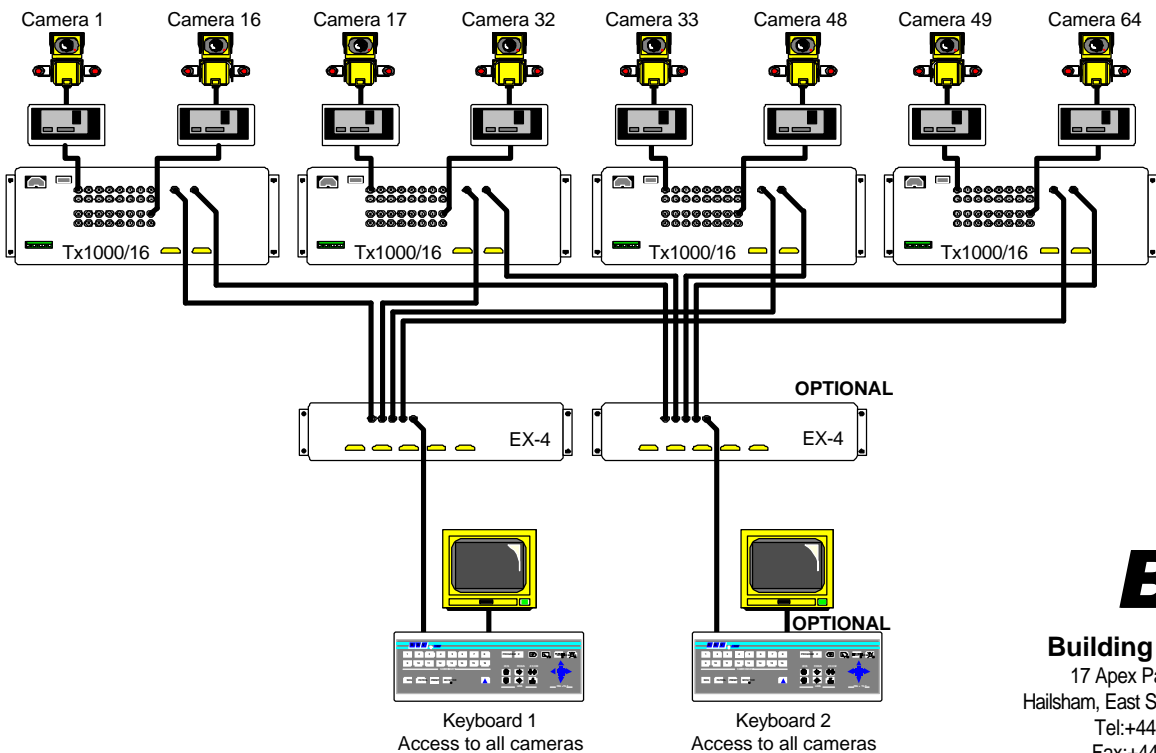


EX-4



Technical Specification

Power requirements	12V dc.
Max load	<100mA at 12V.
Outputs	4 x base unit RS232, 1 x Keypad RS232. 4 x video inputs, 1 x video output.
Outputs	RS232 data to TX1000 keyboard input.
Facilities	Switches RS232 and video from 4 base units. Powered from base unit 1. LED indication of selected base unit and power present.
Video Input	1v p-p 75R terminated input via BNC.
Video Output	1v p-p 75R terminated input via BNC
Boxed size	Width 280mm Length 190mm Height 130mm
Boxed weight	0.6Kg
Temperature range	- 10 c +40 c



BBV

Building Block Video Ltd.

17 Apex Park, Diplocks Way,
Hailsham, East Sussex, UK, BN27 3JU

Tel: +44 (0)1323 842727

Fax: +44 (0)1323 842728

Support: +44 (0)1323 444600

Web Site: www.bbvctv.com

Email: sales@bbvctv.com

