

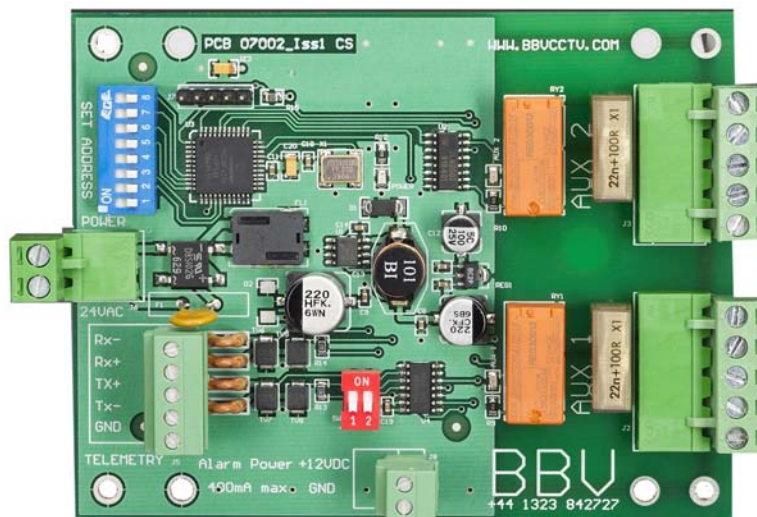


RX25X

Multiple Protocol Auxiliary Relay Receiver



Installation Guide



Building Block Video Ltd.
17 Apex Park,
Diplocks Industrial Estate,
Hailsham, East Sussex, BN27 3JU UK.
Tel: +44(0)1323 842727
Fax: +44(0)1323 842728
Support: +44(0)1323 444600
www.bbvctv.com

CONTENTS

Receiver Wiring Diagram	Page 4
Supported Functions & Protocols	Page 5
Protocol Setting & Receiver Address Table	Page 6
Metalwork Drilling Diagram	Page 7

Unpacking - Inspect the packaging for signs of damage. If damage has occurred, advise the carrier and/or the suppliers immediately. Unpack the unit carefully and check that all the items are present and correct (see checklist on box). If any item is missing contact the supplier.

Retain Packaging - The shipping carton is the safest container in which to transport the unit. Retain undamaged packaging for possible future use.

IMPORTANT SAFETY PRECAUTIONS

Read & Retain Instructions - All relevant safety, installation and operating instructions should be read & retained before attempting to install, connect or operate the unit.

Water and Moisture - Do not expose the internal electronics of this unit to water or dampness.

Power Sources - This unit should be operated only from the supplied power supply.

Servicing - Servicing of the unit should only be undertaken by qualified service personnel.

Damage Requiring Service - Servicing by qualified personnel should be carried out under the following conditions:

- (a) When the power-supply cord or plug is damaged;
- (b) If liquid has been spilled, or objects have fallen into, the unit;
- (c) If the internal electronics of the unit have been exposed to rain or water;
- (d) If the unit does not operate normally by following the operating instructions.
- (e) If the unit has been dropped or the enclosure is damaged;

Replacement Parts - If replacement parts are required, ensure that only replacement parts recommended by the product manufacturer are used.

Safety Check - Upon completion of any service or repairs to the unit, safety checks should be performed to ensure that the unit is in proper operating condition.

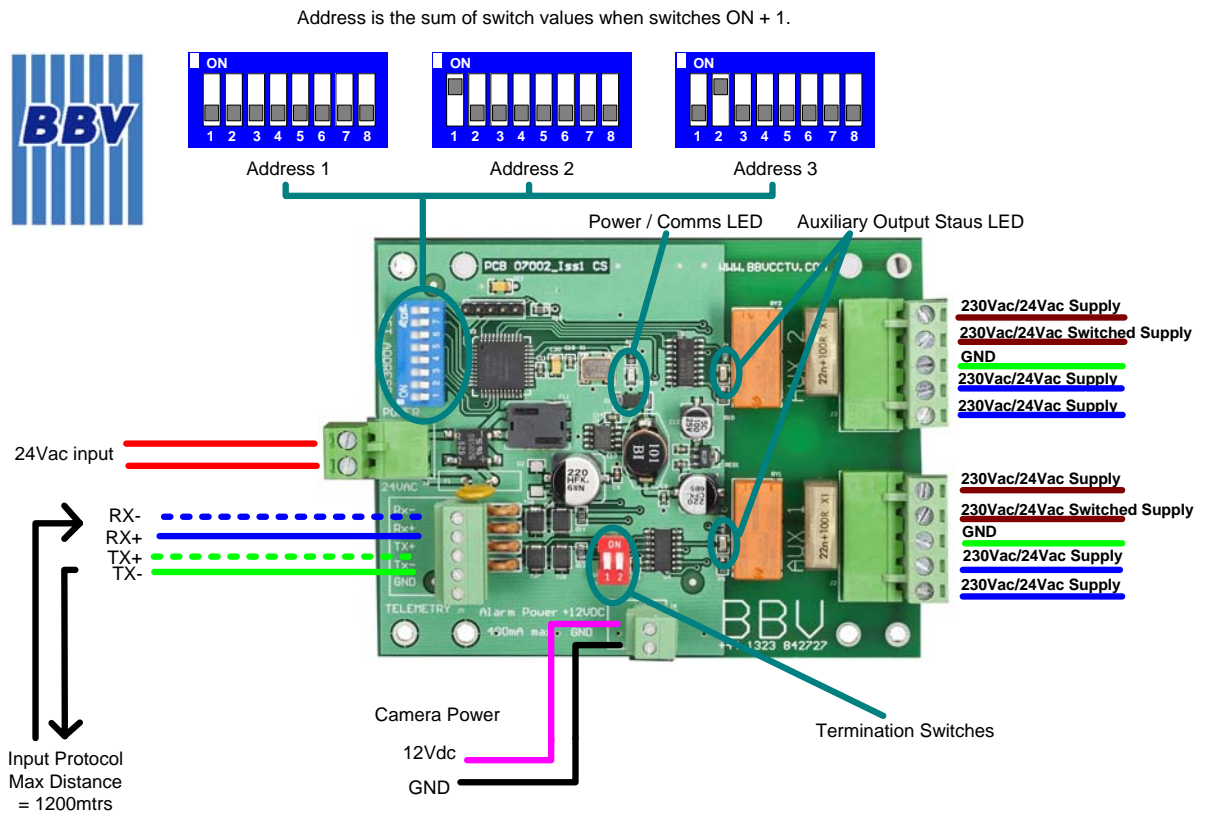
Pre-installation Checks - It is recommended that the unit be bench-tested prior to installation on the site.

Adhere to Safety Standards - All normal safety precautions as laid down by British Standards and the Health and Safety at Work Act should be observed.

WARNING

TO PREVENT DANGER OF FIRE OR SHOCK, DO NOT EXPOSE THE INTERNAL COMPONENTS OF THIS EQUIPMENT TO RAIN OR MOISTURE.

RX25X Multiple Protocol Auxiliary Relay Receiver Wiring Diagram



Building Block Video Ltd (RS422 Auxiliary Relay Receiver Connections 28 May 08.pjc)

17 Apex Park, Diplocks Industrial Estate, Hailsham, East Sussex, UK. BN27 3JU. Tel:+44(0)1323 842727 Fax:+44 (0)1323 842728 Support:+44(0)1323 444600 www.bbvccvtv.com

Supported Functions

Keyboard Protocol Type	Key Press	Function
BBV TX400DC/RS485	Lights	Switch Aux 1
BBV RS422 / Pelco P @ 9600	Wiper	Switch Aux 2
Pelco KBD 300A	01 Aux ON / OFF	Switch Aux 1
Pelco P @ 4800 *	02 Aux ON / OFF	Switch Aux 2
Pelco KBD 300	01 Aux ON / OFF	Switch Aux 1
Pelco D @ 9600	02 Aux ON / OFF	Switch Aux 2
American Dynamics 2083	01 Aux ON / OFF	Switch Aux 1
Sensormatic RS422 @ 4800	02 Aux ON / OFF	Switch Aux 2

Supported Protocols

BBV RS485 @ 9600 N 8 1

Pelco P @ 9600 N 8 1

* Pelco P @ 4800 N 8 1 requires additional Starcard Converter

Pelco D @ 9600 N 8 1

Sensormatic @ 4800 N 8 2

Address & Auxiliary Functions available are limited by the protocol & the implementation of the protocol within the control equipment, please refer to the manufacturer.

Protocol Setting Procedure

To set the input protocol of the Receiver

1. Set the relevant input protocol dipswitch ON (Refer to table below)
2. Set dipswitch 8 ON then OFF
3. Return all dipswitches to OFF

The Power / Data LED will flash, with respect to the protocol number, listed in the table.

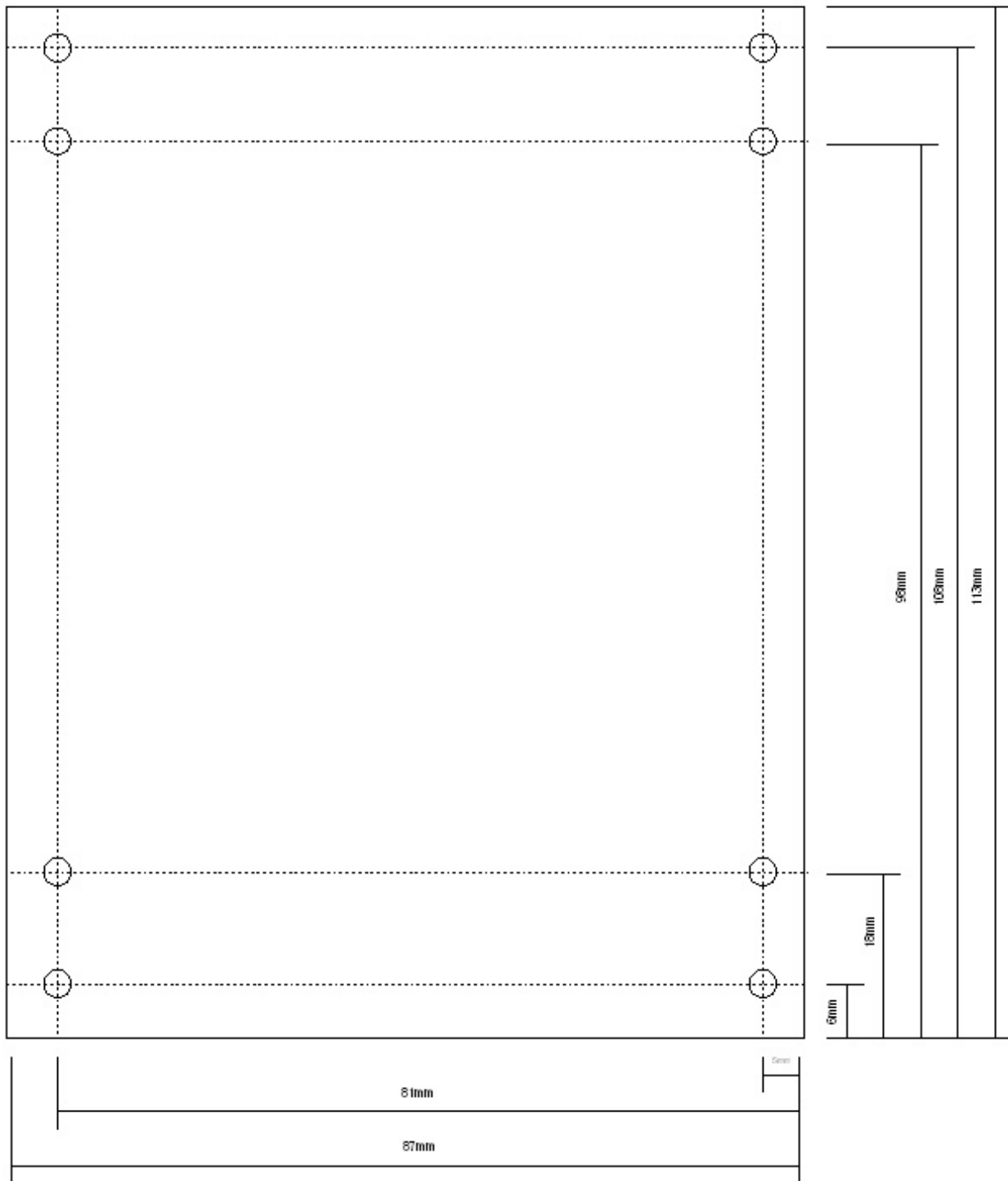
Protocol	Number	SW1	SW2	SW3	SW4	SW5	SW6	SW7
		1	2	4	8	16	32	64
Factory Test Mode	0	OFF	OFF	OFF	OFF	OFF	OFF	OFF
BBV RS422 @ 9600	1	ON	OFF	OFF	OFF	OFF	OFF	OFF
Pelco P @ 9600	2	OFF	ON	OFF	OFF	OFF	OFF	OFF
Pelco D @ 9600	3	ON	ON	OFF	OFF	OFF	OFF	OFF
Sensormatic @ 4800	4	OFF	OFF	ON	OFF	OFF	OFF	OFF

Receiver Address Table

Address is the sum of switch values when switches ON + 1

Address Binary	SW1	SW2	SW3	SW4	SW5	SW6	SW7
	1	2	4	8	16	32	64
1 (0+1)	OFF	OFF	OFF	OFF	OFF	OFF	OFF
2 (1+1)	ON	OFF	OFF	OFF	OFF	OFF	OFF
3 (2+1)	OFF	ON	OFF	OFF	OFF	OFF	OFF
4 (3+1)	ON	ON	OFF	OFF	OFF	OFF	OFF
5 (4+1)	OFF	OFF	ON	OFF	OFF	OFF	OFF
6 (5+1)	ON	OFF	ON	OFF	OFF	OFF	OFF
7 (6+1)	OFF	ON	ON	OFF	OFF	OFF	OFF
8 (7+1)	ON	ON	ON	OFF	OFF	OFF	OFF
9 (8+1)	OFF	OFF	OFF	ON	OFF	OFF	OFF
16 (15+1)	ON	ON	ON	ON	OFF	OFF	OFF
25 (25+1)	OFF	OFF	OFF	ON	ON	OFF	OFF
49 (48+1)	OFF	OFF	OFF	OFF	ON	ON	OFF
64 (63+1)	ON	ON	ON	ON	ON	ON	OFF
96 (95+1)	ON	ON	ON	ON	ON	OFF	ON
128 (127+1)	ON	ON	ON	ON	ON	ON	ON

Metal Work Drilling Sheet



Outer Fixing Hole Size = 4mm
Inside Fixing Hole Size = 3mm

Other BBV products

Product	Description
TX300	Single camera desktop telemetry transmitter with BBV up-the-coax & 20mA telemetry, Pan/Tilt/Lens & Lights
TX400	As TX300 inc Wash, Wipe, Autopan, 8 presets, preset patrol.
TX400DC/RS485	As TX400 including joystick for proportional Pan/Tilt control with RS485 Output.
TX1000 MK2	8 or 16 camera, 2 monitor telemetry transmitter. Up to 2 keyboards. BBV up-the-coax and RS422 standard with options for alarm inputs and 20mA telemetry.
TX1500	Mid size matrix 16 – 96 camera, 8 monitor. Up to 4 control positions (keyboard & remote control) options for alarms, remote control, BBV up-the-coax and RS485 telemetry.
FBM range	Large size matrix. Configurable up to 4096 cameras and 64 monitor outputs. Up to 16 control positions (keyboard & remote control) options for alarms, remote control RS485/RS422 telemetry with various options. Please call to discuss requirements.
RX100	Dome Interface with options to drive a large library of dome cameras. BBV up-the-coax and 20mA telemetry.
RX100/BAX	Dome Interface with options to drive a large library of dome cameras. BAXALL up-the-coax telemetry.
RX200	AC receiver for Pan only heads or static cameras, Wash/Wipe/Lights. BBV up-the-coax and 20mA telemetry.
RX300	AC receiver for Pan/Tilt/Zoom/Focus/Iris Override and 1 Auxiliary output. BBV up-the-coax and 20mA telemetry.
RX400P	AC full function receiver. PTZFI 4 Auxiliary outputs, 16 presets. BBV up-the-coax and 20mA telemetry.
RX45X (AC) RX55X (DC) Multi RS485 protocol and BBV up-the-coax telemetry receivers	Multiple RS485/422 and BBV up-the-coax controllable AC and DC receivers. These receivers are controlled from an expanding range of serial protocols as listed below. 110/230Vac supply. PTZFI, 64 presets, preset patrol, 8 local alarm inputs, 12V 500mA supply output. OSD for remote diagnostics. 3 Aux. outputs RX55X or 4 Aux. outputs RX45X. Optional Privacy board. BBV RS485, COAX & 20mA, BAXALL COAX, DENNARD RS485, MOLYNX, PELCO P/D RS485, VCL/HONEYWELL RS485, PHILIPS/BOSCH RS485 (OPTIONAL BI-PHASE INPUT), SENSORMATIC/AD RS422 VICON RS422 & CIRRUS AUDIO MONITORING
CTI16	Multi-protocol serial converter that gives up-the-coax control to 16 cameras. BBV RS422, Dennard RS485, Pelco P, Pelco D, Philips/Bosch RS485/232, VCL RS485, Sensormatic RS422, Molyntx, Vicon
STARCARD STARCARD/CONVERTER	8 * RS485 output, 2 wire simplex RS422, 4 wire full-duplex RS422, 2 wire half-duplex RS485. Optional STARCARD/CONVERTER offering protocol conversion to drive an increasing range of 3 rd party protocols.
ACCESSORIES	CTI/16 16 camera, RS422 to up-the-coax converter TxLD (bidirectional RS422-RS232 converter) 98005 (bidirectional 20mA-RS232 converter) AD RS422 (American Dynamics) protocol converters